



# INSTRUCTIONS TO USE

>>> SUNNEX TASK LIGHT SERIES <<<



General information .....	3
Warranty policy .....	4
About Sunnex task lighting products .....	5
Symbols .....	6
<b>Spotlight LED</b>	
>>> Sunnex Pluto .....	7
>>> Sunnex Tellus .....	9
>>> Sunnex Lumius .....	11
>>> Sunnex Solus 6 .....	13
>>> Sunnex Solus 9 .....	15
>>> Sunnex Luxor .....	17
>>> Sunnex LS .....	19
<b>Spotlight Halogen</b>	
>>> Sunnex HT .....	21
>>> Sunnex HS .....	24
>>> Sunnex HM .....	27
>>> Sunnex HF .....	30
<b>General Lighting</b>	
>>> Sunnex CL LED .....	33
Accessories .....	35



The task lighting series in this brochure are sold in Sunnex standard design in accordance with information about quality and design stated here, or upon special inquiry, supplied by Sunnex. Variation may arise in certain components.

To avoid risk of injury, all assembly and installation shall be performed by personnel with necessary knowledge about the product, its installation and user environment.

The products shall, where appropriate, be installed as per applicable installation instructions. The product shall be installed and used in accordance with applicable electrical regulations for the country in which it is used and other applicable regulations in the area.

Because halogen bulbs produce significant heat, necessary precautions

must be taken to avoid risk of fire and resulting damage.

Sunnex will not be held accountable for design changes made after the printing of this brochure.

This brochure replaces all previous information about the products it contains.

Sunnex is certified according to ISO 14001:2015  
& ISO 9001:2015



# WARRANTY POLICY



Sunnex warrants that products in this document "Instructions to use" shall be free from defects in material and workmanship and this warranty shall remain in force and effect for a period of three (3) years from and after the date of its delivery ("Warranty Period") provided that this warranty shall be subject the following conditions:

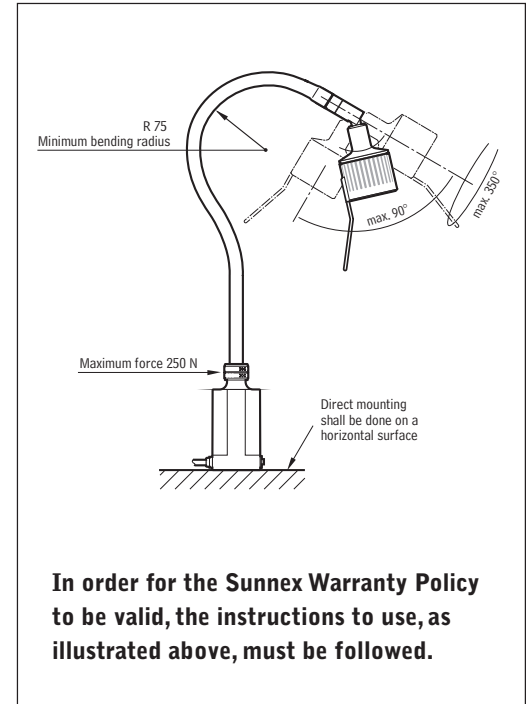
- The Sunnex installation instructions shall have been strictly complied with in all respects by the party performing the installation of the product.
- The product shall have been used only for the purposes for which it is intended and shall not have been abused, damaged or modified during installation or from usage.  
The product cannot be altered, equipped with other components or accessories than originally supplied.
- Ordinary wear and tear shall not be covered by the terms of this warranty.
- Written notice to Sunnex of the defective product shall be given within the Warranty Period.

If a product is found to be defective and the provisions of this section have been complied, Sunnex will repair or replace the product, at its expense.

**Other than as herein expressly set forth there are no warranties made or given herein with respect to a product and the warranties given in statement are in lieu of all other warranties, which are hereby disclaimed. In particular, there are no express or implied warranties, and no warranty of merchantability or fitness for a particular purpose. Sunnex will not be liable for any special, indirect, incidental or consequential damage, loss, cost or expense whatsoever arising from the installation or use of a product or from any other cause.**

Karlstad, April 27, 2023

Johan Karlsson  
CEO



# ABOUT SUNNEX TASK LIGHTING PRODUCTS



## >>> **CHOOSE THE RIGHT LIGHTING**

There are different task lighting series available from Sunnex. Each series is designed with its own unique properties as regards light ergonomics, heat production, adjustability and impact resistance.

Together with each task lighting series, you will find a Lux diagram that shows the intensity and distribution of light produced by each particular lamp. The measurement is taken at a distance of 0,5 meters. Using the Lux diagram, you can select which product will produce the particular light qualities you desire.

There are also other features that can effect your choice of the right tasklight for your application, please find more info on [www.sunnex.se](http://www.sunnex.se) or contact us.

## >>> **MOUNTING EQUIPMENT**

Standard mounting equipment for all Sunnex lights is a base with four holes for direct mounting. Should you wish to have a different means of attachment, such as a C-clamp or a magnetic

base, you can order this separately.

## >>> **DIFFERENT KINDS OF ARMS**

Choose between a bendable flexible gooseneck arm and a spotlight arm. Some models can also be equipped with an articulated arm.

## >>> **VOLTAGE**

In most cases, Sunnex task lighting is available for any of the following voltages; 12, 24, 120 and 230V.

Make sure that the power supply connection voltage corresponds to the rated voltage, see label on your lamp.

## >>> **SAFETY STANDARDS**

Sunnex lighting products are designed and manufactured according to applicable safety standards and regulations. Some models have endorsements from both European and American testing institutes. Sunnex is constantly developing the lighting designs, and certain models may have received different approvals

since this brochure was printed.

Please contact your local dealer, or Sunnex directly, for updated information on which approvals a particular model currently holds.

## >>> **CLASSIFICATION SYSTEM**

To classify lighting equipment for its resistance to contact with, and penetration by, solid objects and water, we use the IP-Class system. Unless otherwise stated, all Sunnex task lighting meets requirements IP20. This is an industry standard, implying a certain resistance to dust. Most Sunnex standard task lights are also available in IP65, which means that it is both dust-proof and water resistant.

[info@sunnex.se](mailto:info@sunnex.se) [www.sunnex.se](http://www.sunnex.se)



## >>> SAFETY STANDARDS AND REGULATIONS

All Sunnex lighting products are designed and manufactured according to the following European regulations: Sunnex Lighting products are made according to Directive 2015/863/EU, Restriction of Hazardous Substances in electrical and electronic equipment (RoHS). Sunnex company is also fulfilling its obligations towards the Directive 2012/19/EU, Waste of Electrical and Electronic Equipment (WEEE) as a member of the Swedish organization El-Kretsen, see also [www.el-kretsen.se](http://www.el-kretsen.se).

Our products comply with the regulations in the REACH directive -1907/2006/EC, as to the candidate list of SVHC's (Substances of Very High Concern). Updates of the candidate list are regularly published. Where applicable Sunnex products also comply to the EMC-directive -2014/30/EU and Low Voltage directive -2014/35/EU.



### >>> THE CE MARK

For products falling under the scope of any of the CE marking directives, the CE mark is mandatory.



### >>> THE S MARK

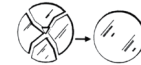
The S mark is evidence that the product has been tested and approved by Intertek as meeting minimum requirements of prescribed and harmonized European Union standards.



### >>> THE ENEC MARK

The ENEC mark certifies the compliance of a product with the harmonized European Union standards.

## >>> OTHER SYMBOLS



Replace a broken lens by a new lens



Protection class II



Plug-in adapter

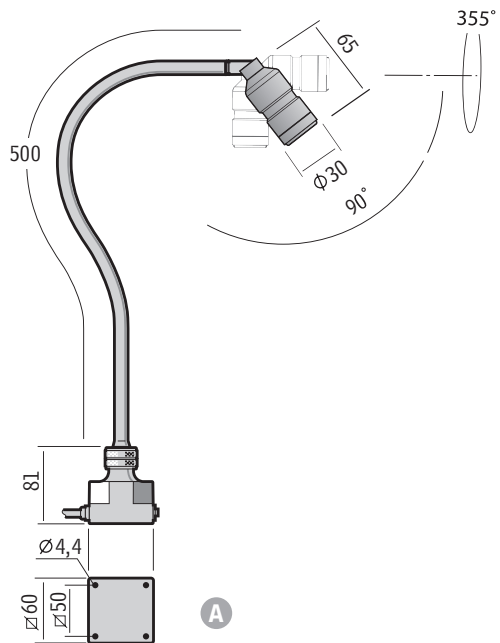


Low pressure bulb



This product must be sorted as Waste from Electrical and Electronic Equipment (WEEE)

# SUNNEX PLUTO – 2W LED



## **A** Sunnex PLUTO – Gooseneck arm

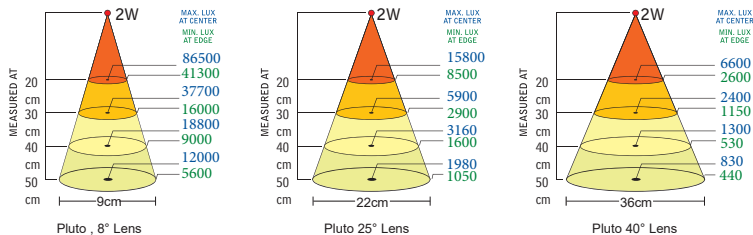
- »» Arm length; 500mm
- »» 12-24V AC/DC - sub base
- »» Service life, LED light source >50000 hours
- »» With swivel joint on lamp head
- »» IP 20
- »» Colour; Black

# SUNNEX PLUTO – 2W LED



## >>> TECHNICAL DATA

Main voltage: **12-24V AC/DC**  
Nominal effect: **2W, 130Lm**  
Class: **III**  
IP-Class: **IP20**  
Beam angle: **25° standard (8° & 40° included)**  
Available: **AC/DC-Adapter 100-240V/24VDC 15VA**



## >>> MOUNTING INSTRUCTIONS

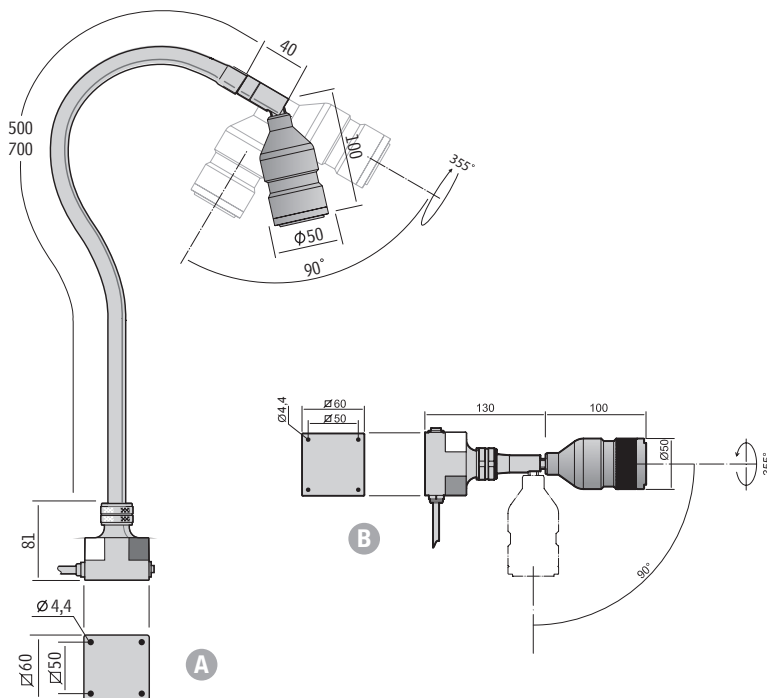
Mount the lamp on a horizontal surface with the four attached screws.  
Hole pattern, see dimensional drawing on page 9.  
Available for the Gooseneck arm is Sunnex mounting accessories; Magnetic base, C-clamp, Wall bracket and Desktop base. Plug in the AC/DC-Adapter to 230V main socket.

## >>> NOTE

Use only Sunnex original parts to secure the function and performance of Sunnex lighting series.  
Contact your local dealer if you are unsure how to handle replacements on Sunnex Pluto.



# SUNNEX TELLUS – 3W LED



## A Sunnex TELLUS – Gooseneck arm

- »» Arm length; 500 or 700 mm
- »» 12-24V AC/DC - sub base
- »» Service life, LED light source >50000 hours
- »» With or without swivel joint lamp head
- »» With or without dimmer
- »» IP-Class; IP20, IP43, IP65 (Depending on version)
- »» Colour; Black

## B Sunnex TELLUS – Spot arm

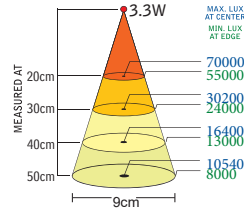
- »» 12-24V AC/DC - sub base
- »» Service life, LED light source >50 000 hours
- »» With single swivel Joint on lamp head
- »» IP 20
- »» Colour; Black

# SUNNEX TELLUS – 3W LED

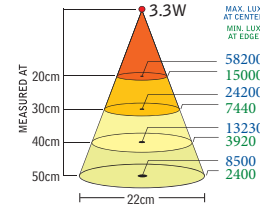


## >>> TECHNICAL DATA

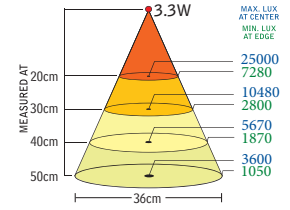
- Main voltage: **12-24V AC/DC**  
Nominal effect: **3,3W, 300Lm**  
Class: **III**  
IP-Class: **IP20, IP43 or IP65**  
Dimmer: **Available**  
Beam angle: **15° (30° Dim) standard (20° or 30° optional)**  
Available: **AC/DC-Adapter 100-240V/24VDC 15VA**



Tellus 15° Lens



Tellus 20° Lens



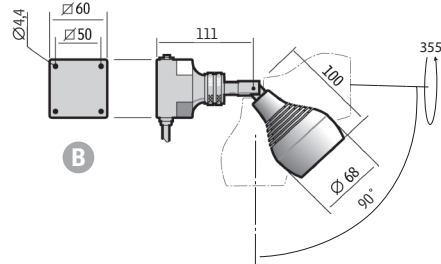
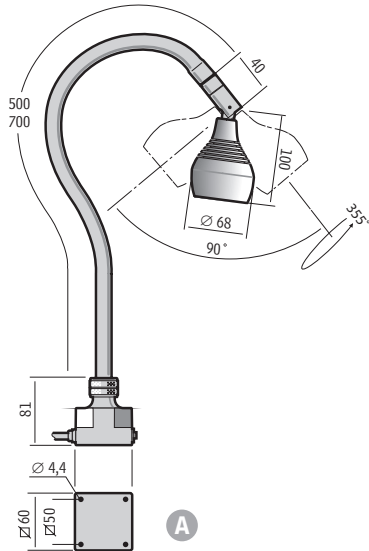
Tellus 40° Lens

## >>> MOUNTING INSTRUCTIONS

- Mount the lamp on a horizontal surface with the four attached screws.  
Hole pattern, see dimensional drawing on page 11.  
Available for the Gooseneck arm and Spot arm are also Sunnex mounting accessories; Magnetic base, C-clamp, Wall bracket and Desktop base.  
Plug in the AC/DC-Adapter to 230V main socket.

## >>> NOTE

- Use only Sunnex original parts to secure the function and performance of Sunnex lighting series.  
Contact your local dealer if you are unsure how to handle replacements on Sunnex Tellus.



## A Sunnex LUMIUS – Gooseneck arm

- » Arm length; 500 or 700 mm
- » 230V – separate AC/DC adaptor
- » 12-36VDC – sub base
- » Service life, LED unit >75000 hours
- » With or without swivel joint lamp head
- » IP-Class; IP20 or IP65
- » Colour; Black
- » Dimmable version available

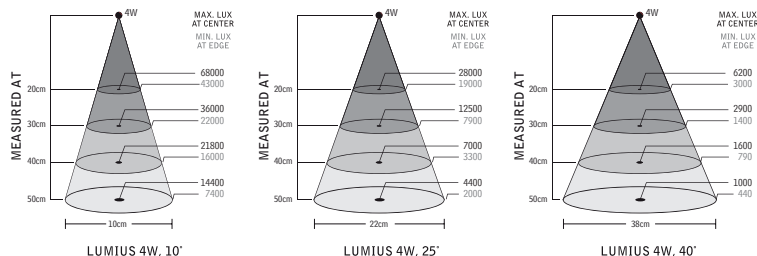
## B Sunnex LUMIUS – Spot arm

- » 230V – separate AC/DC adaptor
- » 12-36VDC – sub base
- » Service life, LED unit >75000 hours
- » IP-Class; IP20
- » Colour; Black



## >>> TECHNICAL DATA

Main voltage:	<b>230V AC/DC adapter or 12-24V DC</b>
Nominal effect:	<b>4W, 260Lm</b>
Class:	<b>II</b>
IP-Class:	<b>IP20 or IP65</b>
Available:	<b>AC/DC-Adapter 230/12VDC-12VA Power LED light source – 3,6W (3x1,2W)</b>



## >>> MOUNTING INSTRUCTIONS

Mount the lamp on a horizontal surface with the four attached screws. Hole pattern, see dimensional drawing on page 13.

Available for the Gooseneck arm and Spot arm are also Sunnex mounting accessories; Magnetic base, C-clamp, Wall bracket and Desktop base. Plug in the cordset to 230V main socket. On/off function is handled with switch in lampbase.

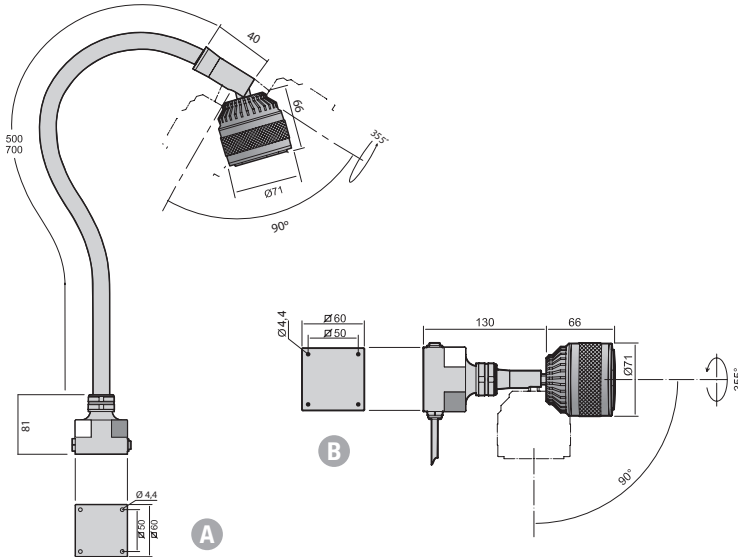
## >>> NOTE

Use only Sunnex original parts to secure the function and performance of Sunnex lighting series.

The cordset in this product is a non-replaceable type. If the cordset is damaged, the transformer unit has to be replaced, and it should be done by the manufacturer or a person with sufficient electrical knowledge.

Contact your local dealer if you are unsure how to handle replacements on Sunnex Lumius.

# SUNNEX SOLUS 6 – 6W LED



## A Sunnex SOLUS 6 – Gooseneck arm >>>

- Arm length; 500 or 700 mm
- >>> 12-24V AC/DC - sub base
- >>> Service life, LED light source >50000 hours
- >>> With or without swivel joint lamp head
- >>> Without joint IP65
- >>> Colour; Black

## B Sunnex SOLUS 6 – Spot arm

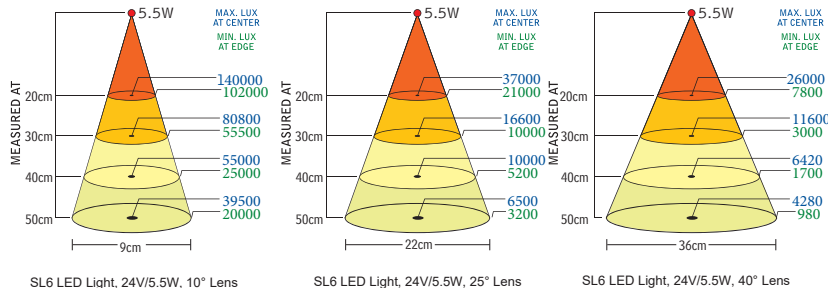
- >>> Service life, LED light source >50000 hours
- >>> With Swivel Joint on lamp head
- >>> IP 20
- >>> Colour; Black

# SUNNEX SOLUS 6 – 6W LED



## >>> TECHNICAL DATA

Main voltage: **12-24V AC/DC**  
Nominal effect: **5,5W, 390Lm**  
Class: **III**  
IP-Class: **IP20 or IP65**  
Beam angle: **10° standard (25° or 40° optional) AC/**  
Available: **DC-Adapter 100-240V/24VDC 15VA**



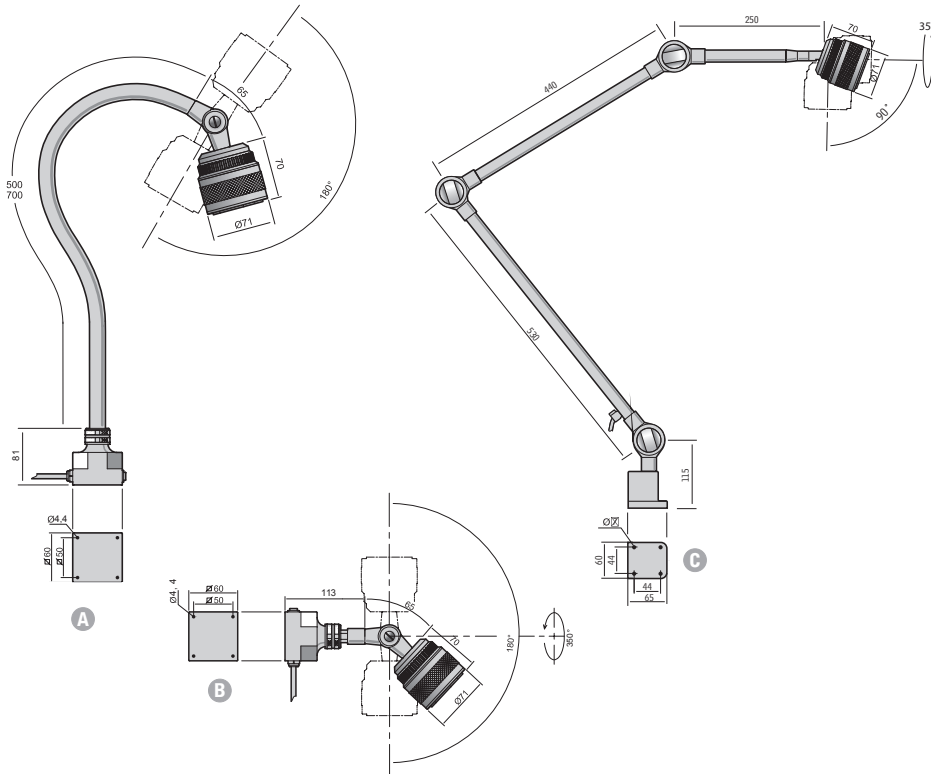
## >>> MOUNTING INSTRUCTIONS

Mount the lamp on a horizontal surface with the four attached screws.  
Hole pattern, see dimensional drawing on page 15.  
Available for the Gooseneck arm and Spot arm are also Sunnex mounting accessories; Magnetic base, C-clamp, Wall bracket and Desktop base.  
Plug in the AC/DC-Adapter to 230V main socket.

## >>> NOTE

Use only Sunnex original parts to secure the function and performance of Sunnex lighting series.  
Contact your local dealer if you are unsure how to handle replacements on Sunnex Solus 6.

# SUNNEX SOLUS 9 – 6W LED



## A Sunnex SOLUS 9 – Gooseneck arm

- » Arm length; 500 or 700 mm
- » Service life, LED light source >30000 hours
- » With knuckle joint on lamp head
- » IP 65
- » Colour; Black

## B Sunnex SOLUS 9 – Spot arm

- » Service life, LED light source >30000 hours
- » With Swivel Joint on lamp head
- » IP 20
- » Colour; Black

## C Sunnex SOLUS 9 – Articulated arm

- » 2-section 1000mm or 3-section 1250mm arm
- » With Swivel Joint on lamp head
- » IP 20
- » Colour; Black

# SUNNEX SOLUS 9 – 6W LED

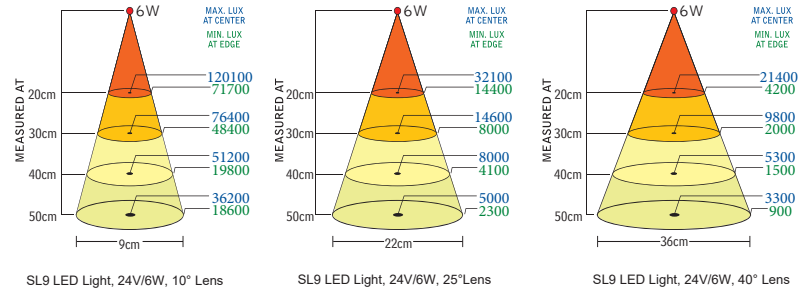


## >>> TECHNICAL DATA

Main voltage: **12-24V AC/DC**  
Nominal effect: **6W, 300Lm**  
Class: **III**  
IP-Class: **IP20 or IP65**  
Dimmer: **Standard**  
Beam angle: **10° standard (25° or 40° optional)**  
Available: **AC/DC-Adapter 100-240V/24VDC 15VA**

## >>> MOUNTING INSTRUCTIONS

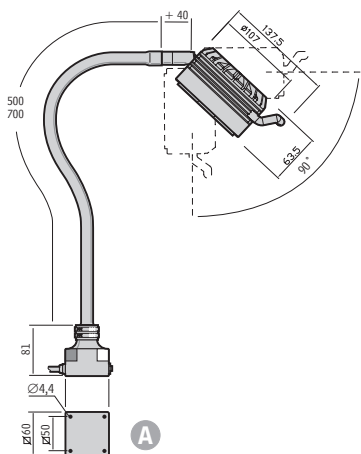
Mount the lamp on a horizontal surface with the four attached screws. Hole pattern, see dimensional drawing on page 17. Available for the Gooseneck arm and Spot arm are also Sunnex mounting accessories; Magnetic base, C-clamp, Wall bracket and Desktop base. Plug in the AC/DC-Adapter to 230V main socket. On/off function is handled with dimmer switch in lamp head.



## >>> NOTE

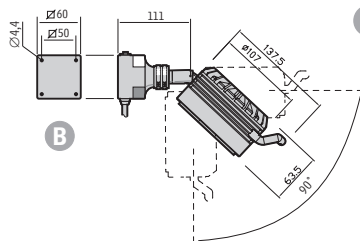
Use only Sunnex original parts to secure the function and performance of Sunnex lighting series. Contact your local dealer if you are unsure how to handle replacements on Sunnex Solus 9.





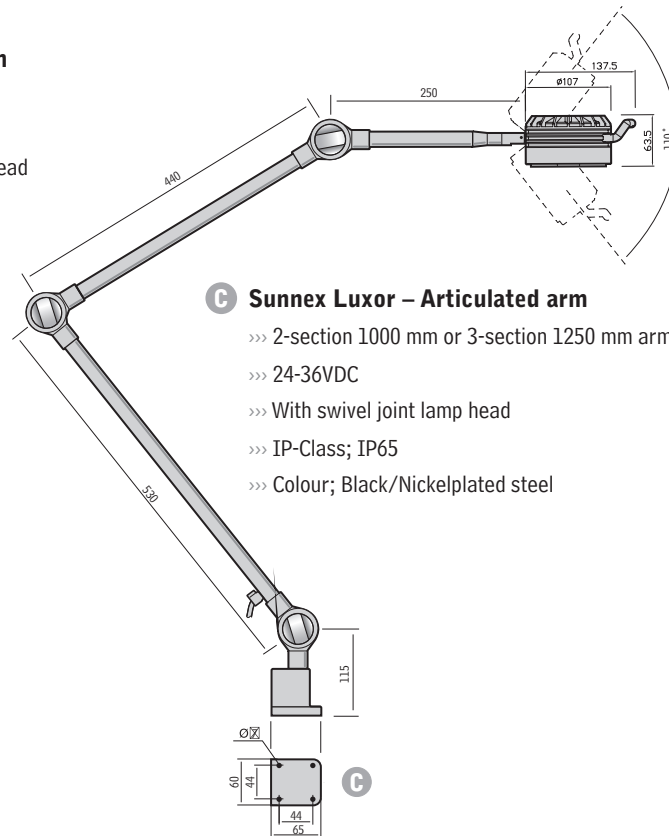
## A Sunnex Luxor – Gooseneck arm

- »» Arm length; 500 mm
- »» 24-36VDC – sub base
- »» With or without swivel joint lamp head
- »» IP-Class; IP20 or IP65 (IP65 without joint)
- »» Colour; Black



## B Sunnex Luxor – Spot arm

- »» 24-36VDC – sub base
- »» With swivel joint lamp head
- »» IP-Class; IP20
- »» Colour; Black



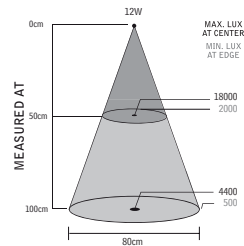
## C Sunnex Luxor – Articulated arm

- »» 2-section 1000 mm or 3-section 1250 mm arm
- »» 24-36VDC
- »» With swivel joint lamp head
- »» IP-Class; IP65
- »» Colour; Black/Nickelplated steel

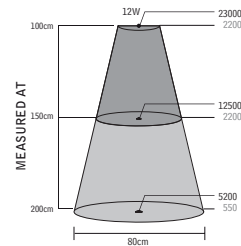


## >>> TECHNICAL DATA

Main voltage:	<b>24-36VDC</b>
Nominal effect:	<b>12W, 900Lm</b>
Class:	<b>III</b>
IP-Class:	<b>IP20 or IP65</b>
Available:	<b>AC/DC-Adapter 100-240V/24VDC 15VA</b>



Luxor LED light 24V/12W, 17° Lens



Luxor LED light 24V/12W, 8° Lens

## >>> MOUNTING INSTRUCTIONS

Mount the lamp on a horizontal surface with the four attached screws. Hole pattern, see dimensional drawing on page 19.

Available for the Gooseneck arm and Spot arm are also Sunnex mounting accessories; Magnetic base, C-clamp, Wall bracket and Desktop base.

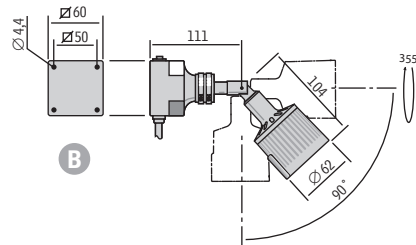
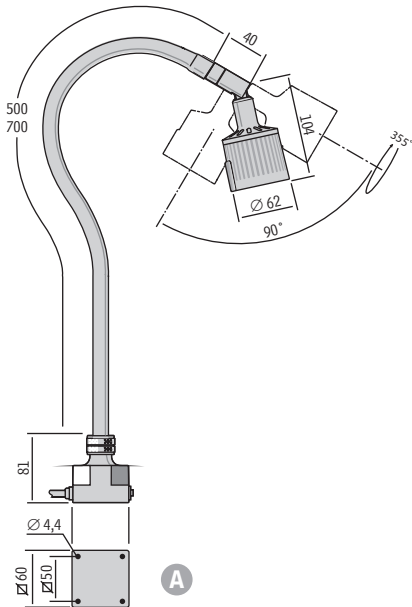
Plug in the AC/DC-Adapter to 230V main socket. On/off function is handled with switch in lampbase or lamp head (articulated arm).

## >>> NOTE

Use only Sunnex original parts to secure the function and performance of Sunnex lighting series.

If the lens is broken, it must be replaced by a new lens.

Contact your local dealer if you are unsure how to handle replacements on Sunnex Luxor.



## A Sunnex LS – Gooseneck arm

- » Arm length; 500 or 700 mm
- » 230/12V – plug-in adapter
- » 12-24V – sub base
- » Service life, LED light source >25000 hours
- » With or without swivel joint lamp head
- » IP-Class; IP20
- » Colour; Black or White RAL 9002

## B Sunnex LS – Spot arm

- » 230/12V – plug-in adapter
- » 12-24V – sub base
- » Service life, LED light source >25000 hours
- » IP-Class; IP20
- » Colour; Black or White RAL 9002

# SUNNEX LS – 3W LED



## >>> TECHNICAL DATA

Main voltage:	<b>12/24V AC/DC</b>
Nominal effect:	<b>3W, 165Lm</b>
Class:	<b>II</b>
IP-Class:	<b>IP20</b>
Available:	<b>AC/DC-Adapter 230/12VDC-12VA</b> <b>Power LED light source – 3W/GU 5.3</b>

## >>> MOUNTING INSTRUCTIONS

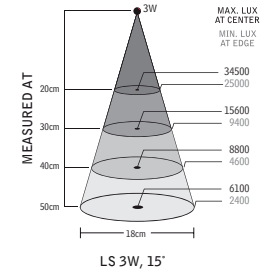
Mount the lamp on a horizontal surface with the four attached screws. Hole pattern, see dimensional drawing on page 21.

Available for the Gooseneck arm and Spot arm are also Sunnex mounting accessories; Magnetic base, C-clamp, Wall bracket and Desktop base.

Plug in the adapter to 230V main socket. On/off function is handled with switch in lampbase.

## >>> CHANGE THE LED LIGHT SOURCE

Disconnect adapter from main socket. Unscrew the front part of lamphead, pull out the broken light source and replace with a new. Screw front part back in place. NOTE! The LED light source for Sunnex LS have an average service life of >25 000 hours.



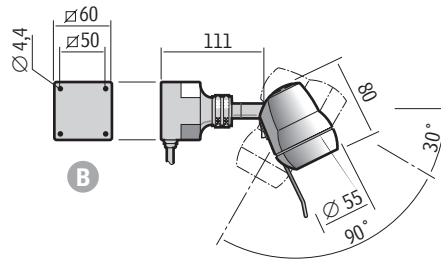
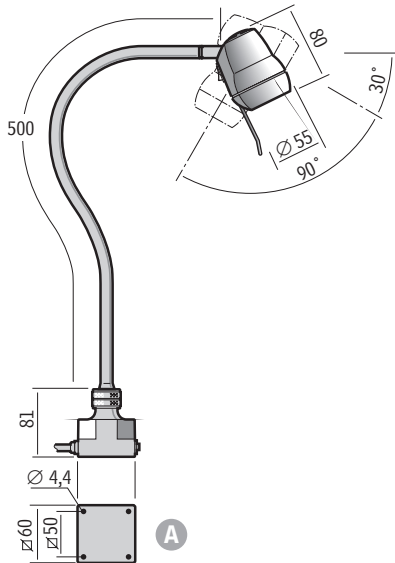
## >>> NOTE

Use only Sunnex original parts to secure the function and performance of Sunnex lighting series.

The cordset in this product is a non-replaceable type. If the cordset is damaged, the transformer unit has to be replaced, and it should be done by the manufacturer or a person with sufficient electrical knowledge.

Contact your local dealer if you are unsure how to handle replacements on Sunnex LS.

# SUNNEX HT – 10W HALOGEN



## A Sunnex HT – Gooseneck arm

- » Arm length; 500 mm
- » 230/12V – plug-in transformer
- » 12 or 24V – sub base
- » With swivel joint lamp head
- » With or without dimmer  
(with dimmer - low voltage models only)
- » IP-Class; IP20
- » Colour; Black or White RAL 9002
- » Dichroic reflector lamp as an option

## B Sunnex HT – Spot arm

- » 230/12V – plug-in transformer
- » 12 or 24V – sub base
- » Single swivel joint in lamp head
- » With or without dimmer  
(with dimmer - low voltage models only)
- » IP-Class; IP20
- » Colour; Black or White RAL 9002
- » Dichroic reflector lamp as an option

# SUNNEX HT – 10W HALOGEN



## >>> TECHNICAL DATA

Main voltage:	<b>230V/AC/50Hz or 12/24V AC/DC</b>
Nominal effect:	<b>10W, 110Lm</b>
Class:	<b>III</b>
IP-Class:	<b>IP20</b>
Equipped with:	<b>Magnetic plug-in transformer 230V/12V/20W Halogen bulb – 10W/G4</b>

## >>> MOUNTING INSTRUCTIONS

Mount the lamp on a horizontal surface with the four attached screws. Hole pattern, see dimensional drawing on page 23.

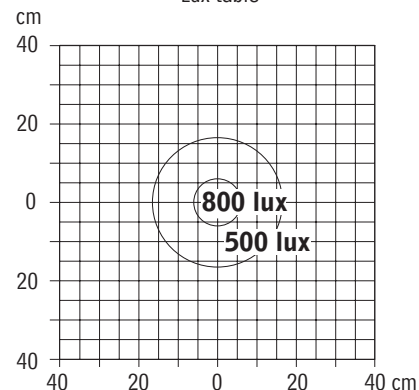
Available for the Gooseneck arm and Spot arm are also Sunnex mounting accessories; Magnetic base, C-clamp, Wall bracket and Desktop base.

Plug in the transformer to 230V main socket. On/off function is handled with switch in lampbase.

## >>> CHANGE THE HALOGEN BULB

Disconnect transformer from main socket. Allow the bulb to cool down for a few minutes. Gently dismantle the front part of lamphead, pull out the broken bulb and replace with a new bulb. Do not touch the bulb with bare hands! Push front part back on to lamp until it snaps in place.

Lux table



## >>> NOTE

Use only Sunnex original parts to secure the function and performance of Sunnex lighting series.

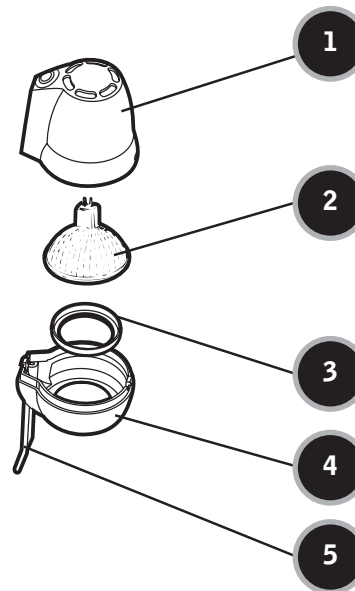
If the lens is broken, it must be replaced by a new lens.

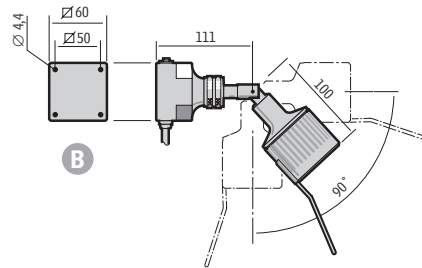
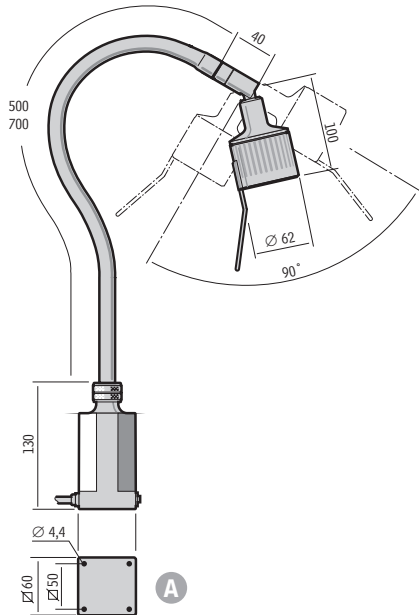
Contact your local dealer if you are unsure how to handle replacements on Sunnex HT.

# SUNNEX HT – REPLACEMENT PARTS



<b>Component</b>	<b>Part No.</b>
1. Lamp head	18245
2. Halogen light bulb 12V/10W/36°	18828
3. Support ring	18281
4. Lamp shade	18057
5. Distance arc	18010





## A Sunnex HS – Gooseneck arm

- »» Arm length; 500 or 700 mm
- »» 230/12V – integrated transformer base
- »» 12 or 24V – sub base
- »» With or without swivel joint lamp head
- »» With or without dimmer  
(with dimmer - low voltage models only)
- »» IP-Class; IP20 or IP65  
(IP65 - low voltage models only)
- »» Colour; Black or White RAL 9002

## B Sunnex HS – Spot arm

- »» 230/12V – integrated transformer base
- »» 12 or 24V – sub base
- »» Single or double swivel joint lamp head
- »» With or without dimmer  
(with dimmer - low voltage models only)
- »» IP-Class; IP20 or IP65  
(IP65 - low voltage models only)
- »» Colour; Black or White RAL 9002



# SUNNEX HS – 20W HALOGEN



## >>> TECHNICAL DATA

Main voltage: **230V/AC/50Hz or 12/24V AC/DC**  
Nominal effect: **20W, 300Lm**  
Class: **II**  
IP-Class: **IP20 or IP65**  
Equipped with: **Magnetic built-in transformer 230V/12V/20W  
Halogen bulb – 20W/G4**

## >>> MOUNTING INSTRUCTIONS

Mount the lamp on a horizontal surface with the four attached screws. Hole pattern, see dimensional drawing on page 25.

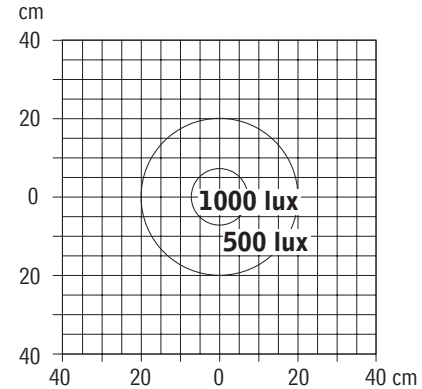
Available for the Gooseneck arm and Spot arm are also Sunnex mounting accessories; Magnetic base, C-clamp, Wall bracket and Desktop base.

Plug in the cordset to 230V main socket. On/off function is handled with switch in lampbase.

## >>> CHANGE THE HALOGEN BULB

Disconnect cordset from main socket. Allow the bulb to cool down for a few minutes. Unscrew the front part of lamphead, pull out the broken bulb and replace with a new bulb. Do not touch the bulb with bare hands!  
Screw front part back in place.

Lux table



## >>> NOTE

Use only Sunnex original parts to secure the function and performance of Sunnex lighting series.

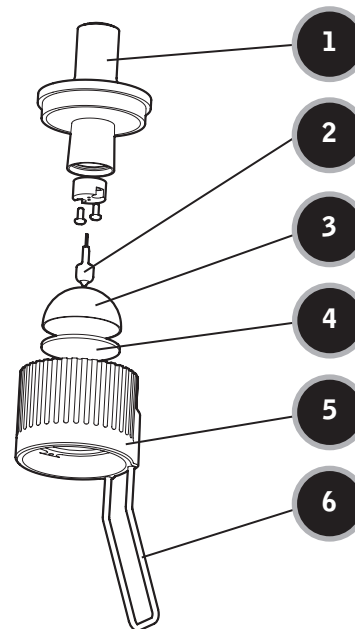
If the lens is broken, it must be replaced by a new lens. The cordset in this product is a non-replaceable type. If the cordset is damaged, the transformer unit has to be replaced, and it should be done by the manufacturer or a person with sufficient electrical knowledge.

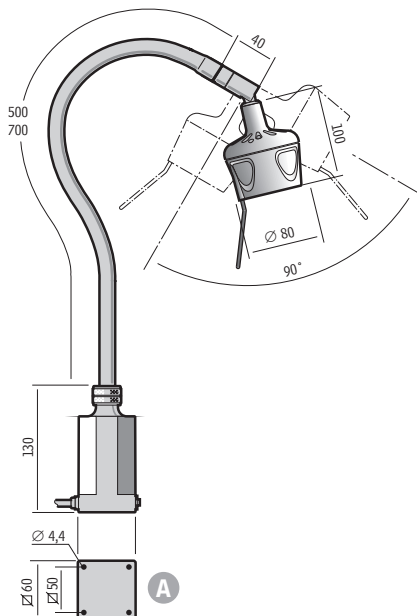
Contact your local dealer if you are unsure how to handle replacements on Sunnex HS.

# SUNNEX HS – REPLACEMENT PARTS



<b>Component</b>	<b>Part No.</b>
<b>1.</b> Lamp head with insert	15203
<b>2.</b> Halogen light bulb 12V/20W	15140
Halogen light bulb 24V/20W	15141
<b>3.</b> Reflector, spot	15128
Reflector, flood	15123
<b>4.</b> Lens, clear	15402
<b>5.</b> Lamp shade	15117
<b>6.</b> Distance arc	18008





## A Sunnex HM – Gooseneck arm

- »» Arm length; 500 or 700 mm
- »» 230/12V – electronic built-in transformer
- »» 12 or 24V – sub base
- »» With or without swivel joint lamp head
- »» With or without dimmer  
(with dimmer - 24V models only)
- »» IP-Class; IP20 or IP65  
(IP65 - low voltage models only)
- »» Colour; Black or White RAL 9002

# SUNNEX HM – 35W HALOGEN



## >>> TECHNICAL DATA

Main voltage: **230V/AC/50Hz or 12/24V AC/DC**  
Nominal effect: **35W, 600Lm**  
Class: **II**  
IP-Class: **IP20 or IP65**  
Equipped with: **Electronic built-in transformer 230V/12V/35W  
Halogen bulb – 35W/GY6.35**

## >>> MOUNTING INSTRUCTIONS

Mount the lamp on a horizontal surface with the four attached screws. Hole pattern, see dimensional drawing on page 27.

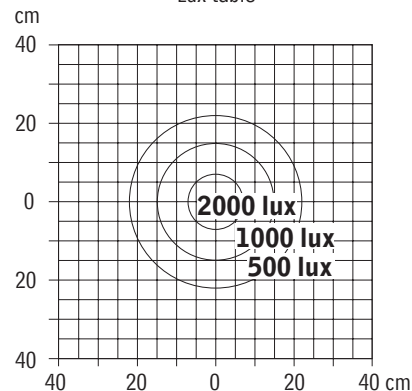
Available for the Gooseneck arm and Spot arm are also Sunnex mounting accessories; Magnetic base, C-clamp, Wall bracket and Desktop base.

Plug in the cordset to 230V main socket. On/off function is handled with switch in lampbase.

## >>> CHANGE THE HALOGEN BULB

Disconnect cordset from main socket. Allow the bulb to cool down for a few minutes. Unscrew the screws holding the front part of lamphead, pull out the broken bulb and replace with a new bulb. Do not touch the bulb with bare hands! Screw front part back in place.

Lux table



## >>> NOTE

Use only Sunnex original parts to secure the function and performance of Sunnex lighting series.

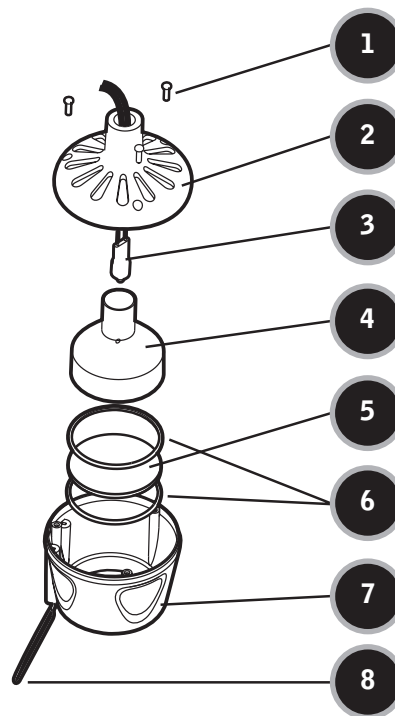
If the lens is broken, it must be replaced by a new lens. The cordset in this product is a non-replaceable type. If the cordset is damaged, the transformer unit has to be replaced, and it should be done by the manufacturer or a person with sufficient electrical knowledge.

Contact your local dealer if you are unsure how to handle replacements on Sunnex HM.

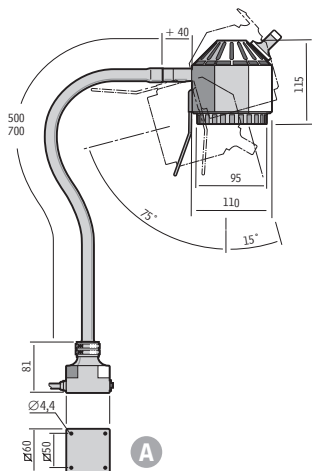
# SUNNEX HM – REPLACEMENT PARTS



<b>Component</b>	<b>Part No.</b>
1. Screw, 3 pcs	15860
2. Lamp head	18015
3. Halogen light bulb 12V/35W	13830
Halogen light bulb 24V/35W	13837
4. Reflector	18003
5. Lens, frosted	18005
6. Sealant rings	18014
7. Lamp shade	18017
8. Distance arc	18008

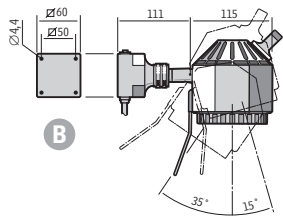


# SUNNEX HF – 50/75W HALOGEN



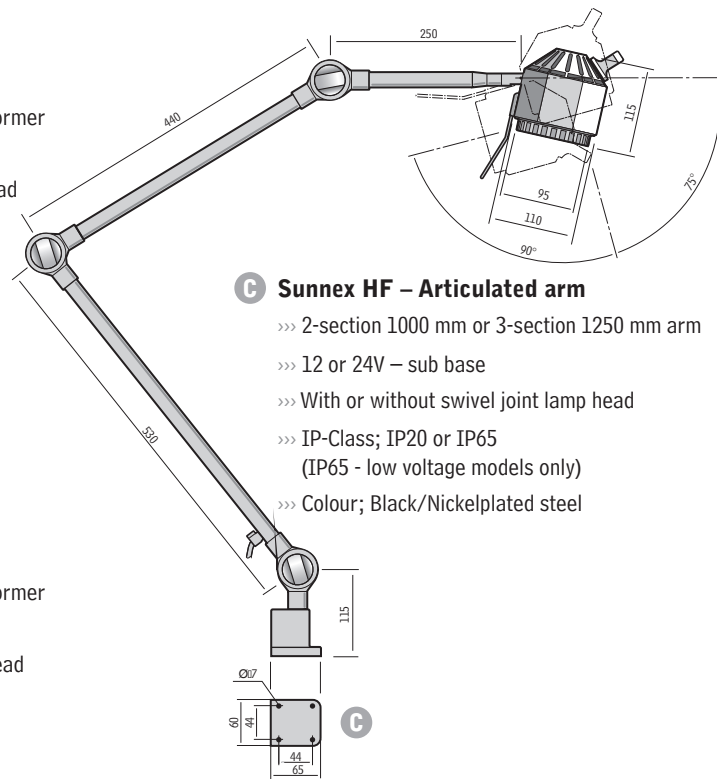
## A Sunnex HF – Gooseneck arm

- » Arm length; 500 or 700 mm
- » 230/12V – electronic built-in transformer
- » 12 or 24V – sub base
- » With or without swivel joint lamp head
- » IP-Class; IP20 or IP65 (IP65 - low voltage models only)
- » Colour; Black or White RAL 9002



## B Sunnex HF – Spot arm

- » 230/12V – electronic built-in transformer
- » 12 or 24V – sub base
- » Single or double swivel joint lamp head
- » IP-Class; IP20 or IP65 (IP65 - low voltage models only)
- » Colour; Black or White RAL 9002



## C Sunnex HF – Articulated arm

- » 2-section 1000 mm or 3-section 1250 mm arm
- » 12 or 24V – sub base
- » With or without swivel joint lamp head
- » IP-Class; IP20 or IP65 (IP65 - low voltage models only)
- » Colour; Black/Nickelplated steel

# SUNNEX HF – 50/75W HALOGEN



## >>> TECHNICAL DATA

Main voltage: **230V/AC/50Hz or 12/24V AC/DC**  
Nominal effect: **50 or 75W, 900 / 1450Lm**  
Class: **II**  
IP-Class: **IP20 or IP65**  
Equipped with: **Electronic built-in transformer 230V/12V/50W  
Halogen bulb – 50W/GY6.35 or 75W/GY6.35**

## >>> MOUNTING INSTRUCTIONS

Mount the lamp on a horizontal surface with the four attached screws. Hole pattern, see dimensional drawing on page 29.

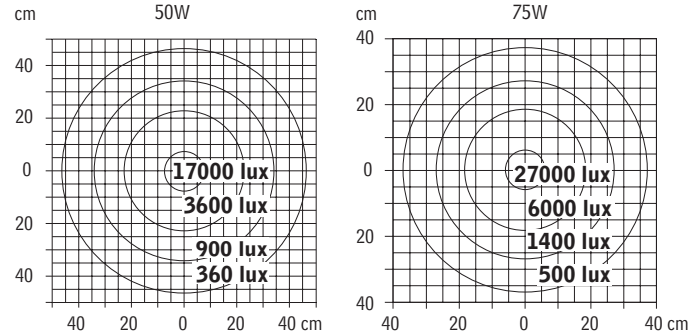
Available for the Gooseneck arm and Spot arm are also Sunnex mounting accessories; Magnetic base, C-clamp, Wall bracket and Desktop base.

Plug in the cordset to 230V main socket. On/off function is handled with switch in lampbase.

## >>> CHANGE THE HALOGEN BULB

Disconnect cordset from main socket. Allow the bulb to cool down for a few minutes. Unscrew the front part of lamphead, pull out the broken bulb and replace with a new bulb. Do not touch the bulb with bare hands!  
Screw front part back in place.

Lux table



## >>> NOTE

Use only Sunnex original parts to secure the function and performance of Sunnex lighting series.

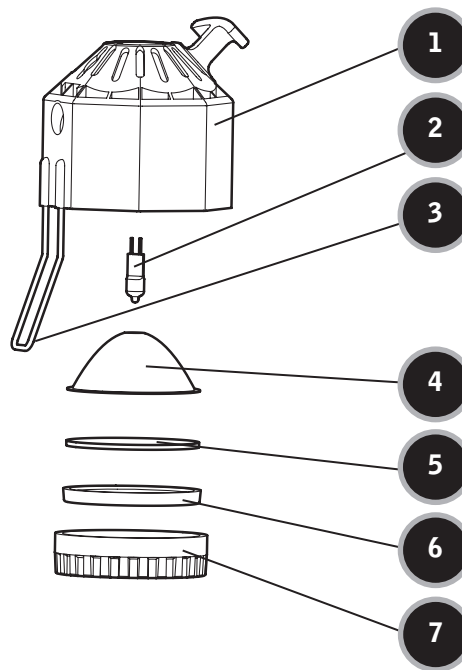
If the lens is broken, it must be replaced by a new lens. The cordset in this product is a non-replaceable type. If the cordset is damaged, the transformer unit has to be replaced, and it should be done by the manufacturer or a person with sufficient electrical knowledge.

Contact your local dealer if you are unsure how to handle replacements on Sunnex HF.

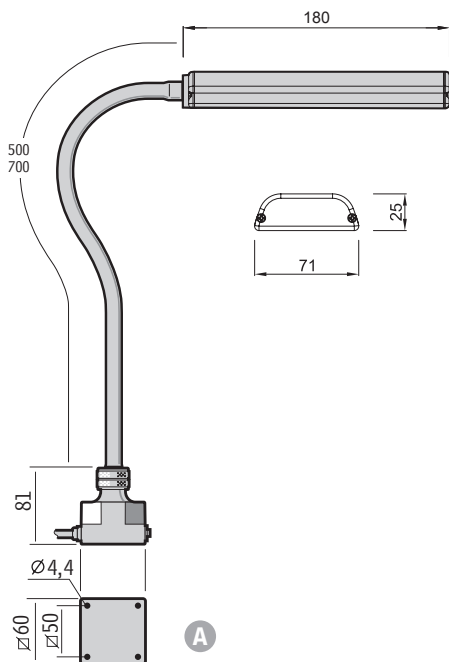
# SUNNEX HF – REPLACEMENT PARTS



<b>Component</b>	<b>Part No.</b>
<b>1.</b> Lamp head	13800
<b>2.</b> Halogen light bulb 12V/50W	13831
Halogen light bulb 12V/75W	13832
Halogen light bulb 24V/50W	13834
Halogen light bulb 24V/75W	13835
<b>3.</b> Distance arc	18008
<b>4.</b> Reflector, flood	13821
<b>5.</b> Lens, clear	13825
<b>6.</b> Sealant ring	13816
<b>7.</b> Lamp shade	13810







## **A** Sunnex CL-LED – Gooseneck arm

- »» Arm length; 500 or 700 mm
- »» 24-36V AC/DC
- »» IP-Class; IP20
- »» Colour; Black



## >>> TECHNICAL DATA

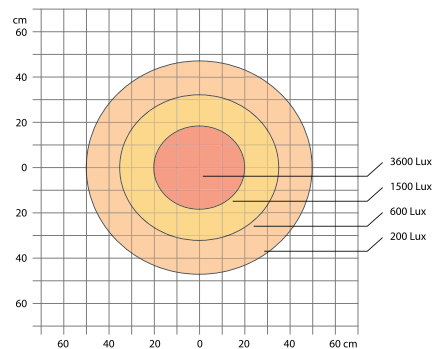
Main voltage: **24-36V AC/DC**  
Nominal effect: **11W 1000Lm**  
Class: **III**  
IP-Class: **IP20**  
Available: **AC/DC-Adapter 100-240V/24VDC 15VA**

## >>> MOUNTING INSTRUCTIONS

Mount the lamp on a horizontal surface with the four attached screws. Hole pattern, see dimensional drawing on page 31.

Available for the Gooseneck arm and Spot arm are also Sunnex mounting accessories; Magnetic base, C-clamp, Wall bracket and Desktop base.

Plug in the AC/DC-Adapter to 230V main socket. On/off function is handled with switch in lampbase.



Lux rating 11W - 0,5m distance

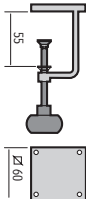
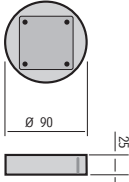
## >>> NOTE

Use only Sunnex original parts to secure the function and performance of Sunnex lighting series.

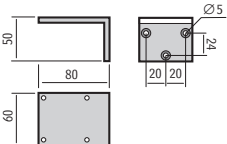
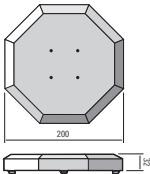
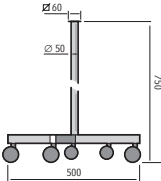
If the lens is broken, it must be replaced by a new lens. The cordset in this product is a non-replaceable type. If the cordset is damaged, the transformer unit has to be replaced, and it should be done by the manufacturer or a person with sufficient electrical knowledge.

Contact your local dealer if you are unsure how to handle replacements on Sunnex CL-Series.


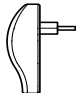
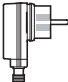
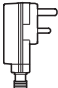
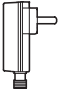



ACCESSORY	Fits model	Info	Part No.
<b>Screw clamp</b> 	All with std. base M4 x 20 (4x) included	Max. grip 42 mm	14020
<b>Magnetic base</b> 	Tellus/CL-LED/Lumius/Pluto/HT/HS/ HM/LS Luxor/Solus 6/Solus 9/HF	Ø 90 mm	14000
	M4 x 20 (4x) included	Ø 110 mm	12010





ACCESSORY	Fits model	Info	Part No.
<b>Wall mount</b> 	All with std. base M4 x 20 (4x) included	L-bracket 50 x 80 mm	14030
<b>Desktop base</b> 	All with std. base Suitable screws (4,0 x 25) included	$\varnothing$ 200 mm	14015
<b>Trolley base</b> 	All with std. base M4 x 20 (4x) included	Height 750 mm	14024



ACCESSORY	Fits model	Info	Part No.
<b>Transformer</b> 	HT/HS/HM/HF	230V/12V - Max. 75W, IP44	12030
	HT/HS/HM/HF	230V/24V - Max. 75W, IP44	12035
<b>Transformer - plug-in</b> 	HT/HS	230V/12V - Max 20W	14051
	HM/HF	230V/12V - Max 50W	12045
<b>AC/DC-Adapter</b>    	Pluto/Tellus/Solus6/Solus9/Lumius/LS CL-LED/Luxor (Euro)	100-240V/24VDC Max 15VA, IP44	33901
	Pluto/Tellus/Solus6/Solus9/Lumius/LS (UK)	100-240V/12VDC Max 12VA, IP44	33902
	Pluto/Tellus/Solus6/Solus9/Lumius/LS (US)	100-240V/12VDC Max 12VA, IP44	33906
	Pluto/Tellus/Solus6/Solus9/Lumius/LS CL-LED/Luxor (CH)	100-240V/24VDC Max 15VA, IP44	33907



ACCESSORY		Fits model	Info	Part No.
Lens/Glass		Tellus/HS	Clear(standard)	15402
		Tellus/Tellus-R/W/HS	Frosted	15112
		Tellus/HS	Red	15114
		Tellus/HS	Green	15110
	Lumius/HM	Clear(Standard)	18004	
	Lumius/HM	Frosted	18005	
	Lumius/HM	Red	18831	
	Lumius/HM	Green	18917	
	HT	Frosted (Standard)	18009	
	HT	Clear	18007	
HF	Clear (standard)	13825		
HF	Frosted	13826		



ACCESSORY		Fits model	Info	Part No.
<b>Optics</b>		Tellus	15°	34015
		Tellus	20°	34020
		Tellus	30°	34030
		Solus 6 / Solus 9	10°	33910
		Solus 6 / Solus 9	25°	33925
		Solus 6 / Solus 9	40°	33940
		Pluto	10° 25° 40°	34015
		Lumius	10°	18878
		Lumius	25°	18879
		Lumius	40°	18880
		Luxor	8°	18922
		Luxor	17°	18943



ACCESSORY	Fits model	Info	Part No.	
<b>Reflector - Standard</b>		HS	Spot (standard)	15128
		HS	Superspot	15127
		HS	Flood	15123
		HF	Flood(standard)	13821
<b>Reflector - Dichroic lamp</b>		HS	12V/20W $\alpha$ 10 light cone	15124
		HS	12V/20W $\alpha$ 36 light cone	15126
<b>Halogen bulb</b>		HS	24V/20W	15141
		HS	12V/5W	15142
		HS	12V/10W	15145
		HS	12V/20W	15140
		HM/HF	12V/35W	13830
		HM/HF	24V/35W	13837
		HF	12V/50W	13831
		HF	12V/75W	13832
HF	24V/50W	13834		



**Sunnex Equipment AB  
(Headquarters)**

PO Box 2084, 650 02 Karlstad, Sweden / Körkarlsvägen 4, 653 46 Karlstad, Sweden

Tel: +46 54 555 160

Email: [Info@sunnex.se](mailto:Info@sunnex.se)Internet: [www.sunnex.se](http://www.sunnex.se)**Sunnex Equipement Sarl**

775, Rue André AMPERE, Z.I. Les Milles - CS 50363 F-13799 Aix-en-Provence, Cedex 3, France

Tel: +33 442 39 78 96

Email: [Info@sunnex.fr](mailto:Info@sunnex.fr)Internet: [www.sunnex.fr](http://www.sunnex.fr)**Sunnex LLC**

8001 Tower Drive, Charlotte, NC 28227, USA

Tel: +33 442 30 78 96

Email: [Sales@sunnex.com](mailto:Sales@sunnex.com) Internet: [www.sunnex.com](http://www.sunnex.com)