

# SUNNEX MHD

Sunnex MHD is the result of a demand for damping fast injection moulding machines, and through a close cooperation with our valued customers we have developed the MHD-series. A compact design with convenient mounting solution and long-life duration. Sunnex MHD is a cost-effective mount incorporating our legacy with excellent anti-vibration and precise levelling performance.

Sunnex MHD consists of a robust chassis with an integrated nitrile rubber compound. Consistent force distribution via our robust and integrated pressure plate.

Designed to deliver outstanding characteristics for stabilization and damping of vertical as well as horizontal forces. Exceptional for medium heavy and heavy high speed machines.

## Preferences

- Loads up to 5000kg, per machine mount
- Cast iron
- Nitrile rubber compound
- galvanized bolt for precision leveling
- Galvanized pressure plate

## Applications

- Injection moulding machines
- Manufacturing industry
- Process industry
- Press-& stamping machines
- Extrusion machines
- Medium to heavy duty machines

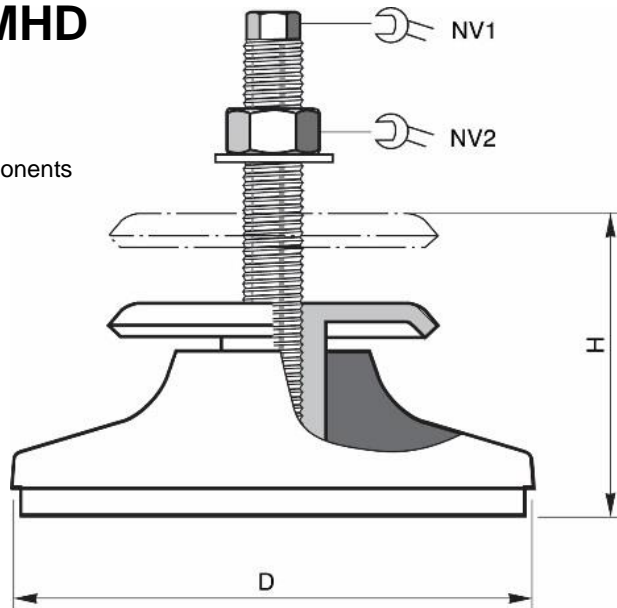
## Advantages

- Excellent anti-vibration
- Excellent levelling
- Excellent friction to surface
- Reduction of noise



## Technical specification MHD

Rubber:	Nitrile rubber compound
Finish:	Painted with galvanized components
Load capacity:	500-55000 kg
Diameter, D1:	140-240 mm
Height H:	60-107 mm
Key grip 1, NV1:	12-17 mm
Key grip 2, NV2:	24,36 mm



Model	Load range daN (kg)	D mm	H mm	Levelling bolt	NV1 mm	NV2 mm	Part No.
MHD 130	500–1500	140	60–78	M16 x 1,5 x 150	12	24	48003
MHD 165	900–2700	174	60–84	M20 x 1,5 x 150	15	30	48006
MHD 190	1500–4000	198	60–84	M20 x 1,5 x 150	15	30	48009
MHD 240	2300–5500	245	80–107	M24 x 2,0 x 150	17	36	48012

\*Other bolts can be requested

