

# SUNNEX LL

Sunnex LL is a machine mount that is specially designed to provide stable levelling and great versatility for use with all sorts of industry and office/warehouse equipment.

Sunnex LL consists of a galvanized levelling screw with an articulated base that allows inclinations of up to 10°.

The underside of the base is coated with a thin friction pad of nitrile rubber that provides a stable installation with an excellent friction to the surface.

## Preferences

- Loads up to 2000kg, per machine mount
- Galvanized
- Nitrile compound
- Integrated galvanized bolt with precision levelling
- Inclinations up to 10°

## Applications

- Engineering machinery
- Warehouse equipment
- Office equipment
- Home appliances
- Light to medium duty machines

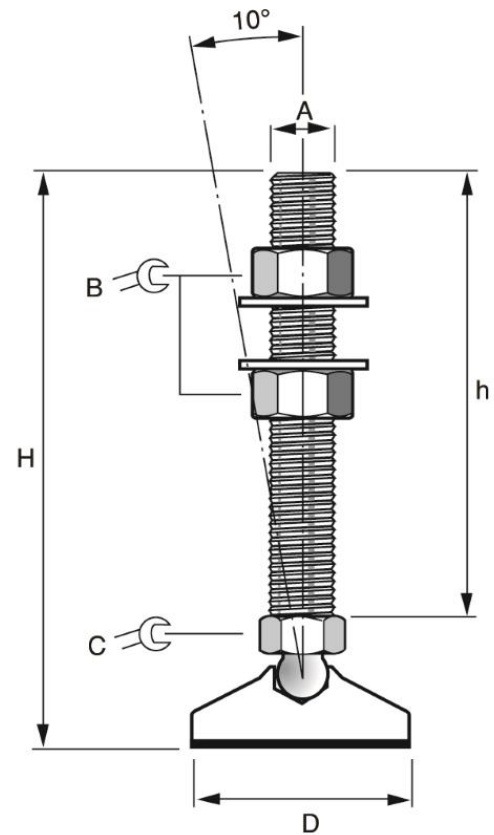
## Advantages

- Excellent levelling
- Excellent friction to surface
- Excellent stability
- Inclination optimization



## Technical specification LL

Rubber:	Nitrile rubber compound
Finish:	Galvanized
Load capacity:	1000-2000 kg
Diameter, D:	32-60 mm
Height, H:	105-110 mm
Height, h:	75-80 mm
Key grip, B:	19-22 mm
Key grip, C:	14-16 mm
Bolt size, A:	M12-M14
Inclination:	0-10 degrees



Model	Max load per machine mount daN (kg)	D mm	H mm	h mm	B mm	C mm	A mm	Part no.
LL 10	1000	32	105	75	19	14	M 12	50001
LL 12	1200	45	105	75	19	14	M 12	50002
LL 20	2000	60	110	80	22	16	M 14	50003

Customizations can be made upon request.