

SUNNEX AM

Sunnex AM is the classic machine mount with excellent anti-vibration and levelling performance. Designed for a versatile and professional use within industrial and production applications. Proven quality and effective vibration damping with great noise reduction properties.

Sunnex AM mounts are available in stainless steel or zinc plated finish. The stainless-steel mount is designed to meet the specific requirements imposed in humid, wet or corrosive environments within the process.

The built in levelling bolt allows the Sunnex AM to be vertically adjusted with considerable accuracy, allowing a 7° inclination while still retaining full stability.

Preferences

- Loads up to 2000kg, per machine mount
- Stainless or zinc plated finish
- Nitrile compound
- Integrated bolt with precision levelling
- Perfect for sloping surfaces

Applications

- Manufacturing industry
- Process industry
- Food, drink and pharmaceutical
- Conveyor belts
- Light & medium duty machines

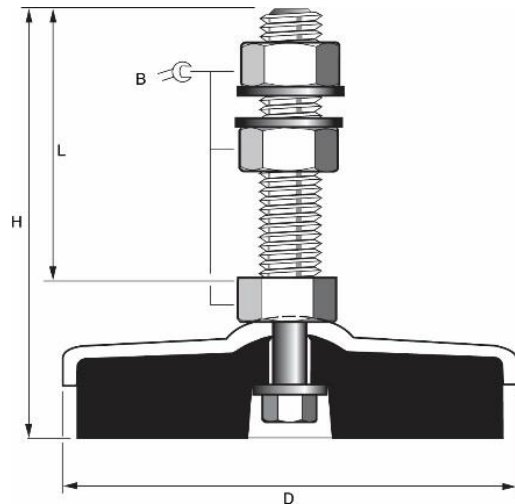
Advantages

- Excellent anti-vibration
- Excellent levelling
- Excellent for sloping surface
- Reduction of noise



Technical specification AM

Rubber:	Nitrile rubber
Finish:	Stainless or Zinc plated
Load capacity:	50-2000 kg
Diameter, D:	68-150 mm
Height, H:	100-202 mm
Length, L:	100-150 mm
Key grip, B:	17-36 mm
Inclination:	0-7 degrees



Load range daN (kg)	D mm	L mm	H mm	Levelling bolt	B mm	Part no. Stainless	Part no. Zink plated	
50-150	68	100	125	M10 x 1,50	17	10521	10525	
				120	M12 x 1,75	19	10523	10553
					M16 x 2,00	24	10545	10555
					M20 x 2,50	30	10547	10557
100-250	68	100	125	M10 x 1,50	17	10522	10526	
				120	M12 x 1,75	19	10524	10554
					M16 x 2,00	24	10546	10556
					M20 x 2,50	30	10548	10558
50-500	98	120	158	M12 x 1,75	19	10531	10535	
				M16 x 2,00	24	10533	10538	
				M20 x 2,50	30	10565	10575	
		150	191	M24 x 3,00	36	10567	10577	
450-1000	98	120	158	M12 x 1,75	19	10532	10536	
				M16 x 2,00	24	10534	10539	
				M20 x 2,50	30	10566	10576	
		150	191	M24 x 3,00	36	10568	10578	
900-1500	140	120	169	M12 x 1,75	19	10620	10640	
				M16 x 2,00	24	10621	10641	
				M20 x 2,50	30	10622	10642	
		150	202	M24 x 3,00	36	10623	10643	
1400-2000	140	120	169	M12 x 1,75	19	10630	10650	
				M16 x 2,00	24	10631	10651	
				M20 x 2,50	30	10632	10652	
		150	202	M24 x 3,00	36	10633	10653	

*Other bolts can be requested