

SUNNEX HS 20W HALOGEN

The shape of the Sunnex HS, in combination with its robust design and simple adjustment, has made the lamp a reliable industrial light for over 30 years.

Sunnex HS is fitted with Sunnex's classic flexible arm which is of extremely high quality and the lamp produces a extremely well focused spot light. Sunnex HS comes with either an integral transformer or in a low-voltage version for direct connection to machinery.

The light can also be supplied with a dimmer, and is available sealed to safety class IP20 or IP65. Sunnex HS is available with a 500 or 700 mm flexible, bendable arm, as well as in the form of a spot with both single and double joint.

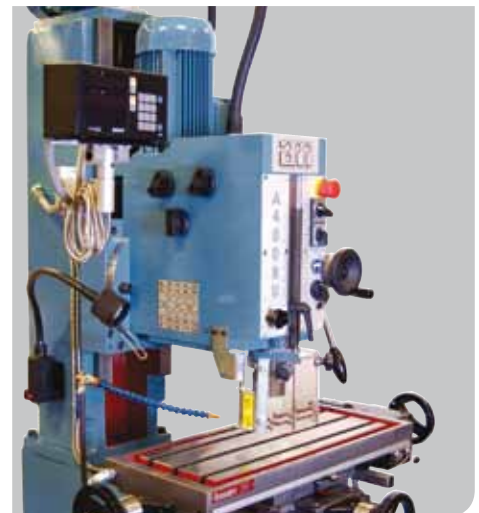
Examples of applications include spot lighting for manufacturing machines, machine tools, the graphic design, assembly work and precision mechanical work.

Applications

- Workshop Machinery
- Machine tools
- Point Lighting
- Monitoring and Inspection
- Assembly Work

Benefits

- Well-focused spot light
- Flexible arm for precise control
- With or without a joint in the lamp head
- Ergonomic design
- Various brackets available

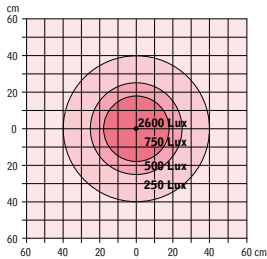




Technical Specifications

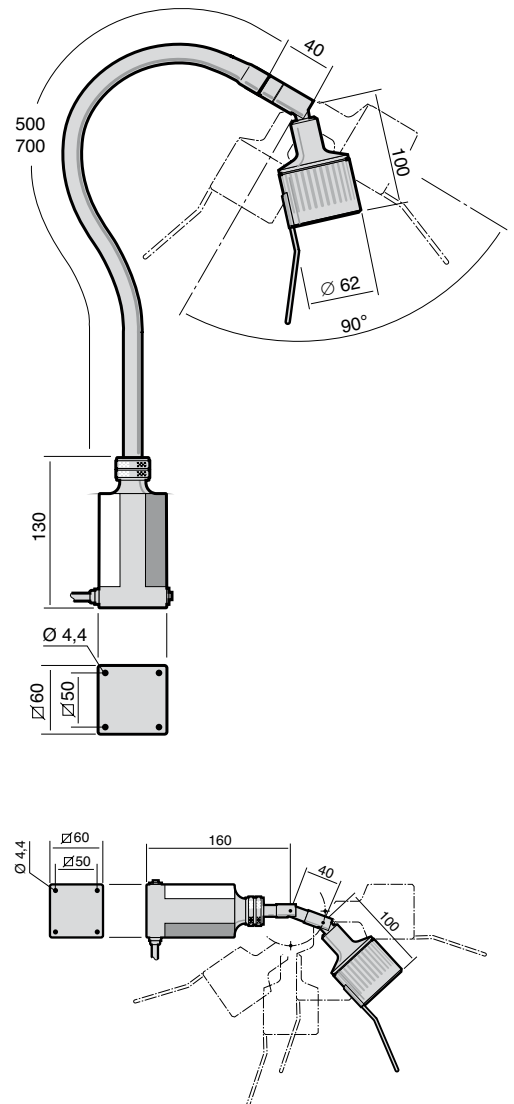
Supply voltage	230V/12V, 12V, 24V
Light source	Halogen 12V/24V/20W
Lifetime, light source	2 000 h
Lamp head	With or without joint
Lens	Clear
Arm Length	500 or 700 mm
Colour	Black
Colour temperature	3000K
IP-rating	IP20
Protection Class	Class II
Power switch	Placed in the base
Base	Equipped with four mounting holes
Colour rendering index	Ra 100
Cable length	2 m

Lux rating - 0,5 m distance



Model	Arm	Connection	Art. no.
HS - Flex	500 mm	230V	14100
		12V	14300
		24V	14400
HS - Spot	Single joint	230V	14160
		12V	14360
		24V	14460

For complete HS standard range, please see next page



Mounting Accessories



Magnetic base
14000



Table base
14015



C-Clamp
14020



Wall mount
14030

More info about
Accessories
see separate leaflet
www.sunnex.se



COMPLETE STANDARD RANGE, HS - FLEX 20W

Arm	Connection	Other	Art. no.
500 mm	230V		14100
		Joint	14110
	12V		14300
		Dimmer	14300DIM
		IP65	14300IP65
		Joint	14310
		Joint/Dimmer	14310DIM
			14400
	24V		14400
		Dimmer	14400DIM
		IP65	14400IP65
		Joint	14410
		Joint/Dimmer	14410DIM
			14420
700 mm	230V		14120
		Joint	14130
	12V		14320
		Dimmer	14320DIM
		IP65	14320IP65
		Joint	14330
		Joint/Dimmer	14330DIM
			14420
	24V		14420
		Dimmer	14420DIM
		IP65	14420IP65
		Joint	14430
		Joint/Dimmer	14430DIM
			14430

COMPLETE STANDARD RANGE, HS - SPOT 20W

Joint	Connection	Art. no.
Single	230V	14160
	12V	14360
	24V	14460
Double	230V	14163
	12V	14363
	24V	14463