

Sunnex FSM



Sunnex

FSM is both

an anti-vibration and levelling machine mount. This mount is specially developed for free-standing applications. It's designed for applications lacking bolt holes or when bolt holes are inaccessible.

Sunnex FSM consists of a galvanized pressure plate coated with high friction rubber that rests on a levelling bolt built into a steel chassis and a thick special Nitrile rubber mixture damping element.

The construction withstands most types of grease, acid, oil and coolants normally used in the industry and match the majority of machine types thanks to damping shocks and vibrations with easy levelling characteristics.

Preferences

- Loads up to 1000 kg, per machine mount
- Galvanized steel
- Special Nitrile rubber mixture
- Integrated galvanized bolt with precision levelling.

Applications

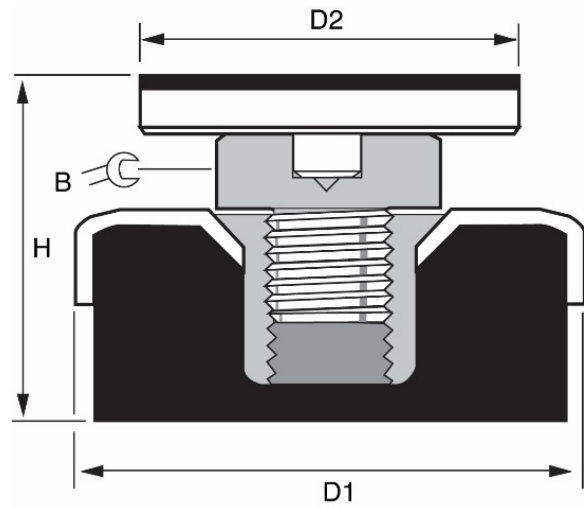
- Engineering machinery
- Warehouse equipment
- Office equipment
- Home appliances
- Data centers

Advantages

- Excellent anti-vibration
- Excellent levelling
- Excellent friction to surface
- Free standing

Technical specification FSM

Rubber:	Special Nitrile rubber mixture
Finish:	Galvanized steel plate
Load capacity:	50-1000 kg
Diameter 1, D1:	80-120 mm
Diameter 2, D2:	60-80 mm
Height, H:	55-77 mm
Key grip, B:	30, 36 mm



Model	Load range per machine mount daN (kg)	D1 mm	D2 mm	H mm	B mm	Part no.
FSM 11	50-500	80	60	55-65	30	10311
FSM 12	400-1000	120	80	67-77	36	10312