

LUXOR

Sunnex Luxor is a LED-lamp with exceptional intensity for machine applications, where the lamp head is placed at a distance from the lit surface.

The lamp head is made from durable aluminium for challenging environments. The classic Sunnex flexible arm and Spot-version can be chosen or the articulated arm system, for superior reach.

The wattage is 12W and suitable distance between lamp head and surface is 75-200cm, with narrow beam (8°) the distance can be increased to 350cm. Supply voltage is 24VDC for safe use in, e.g. industrial environment, adaptor for connection to the power net is available as an accessory. IP20 and IP65 versions are available as standard.

Suitable applications are larger machines, CNC-centres and other applications where very high intensity is needed.

If spot or flexible arm is chosen our accessories like C-clamp, wall bracket, magnetic base and table base can be used with this product. 230V adaptor is also an accessory.

Custom versions available.

Features

- Flexible arm, articulated arm system AAS or Spot-version
- Long technical life >50000h
- 24VDC supply voltage for safe use in harsh environments
- High intensity for use at greater distance
- Adaptor available for direct connection to mains voltage
- Other applications where high intensity is required

Applications

- Machines
- CNC-centres
- Large presses

Benefits

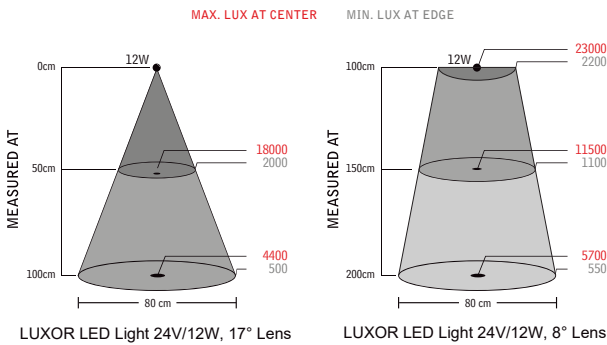
- Low power consumption
- Very low heat emission
- Very high intensity and luminous output
- Flexible arm for precise adjustment
- Articulated arm system for superior reach



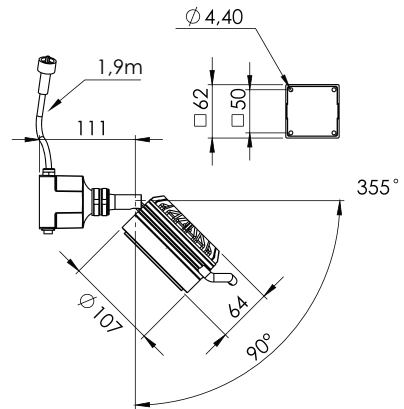
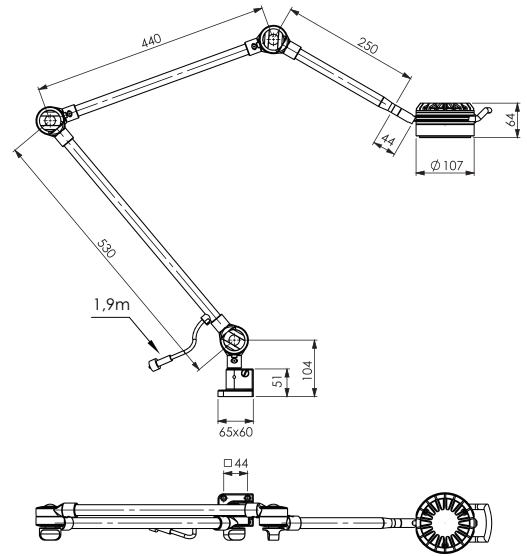


Technical specifications

Supply voltage	24-36VDC 1,9m cord set (100-240VAC Plugin AC/DC-adaptor available, IP44)
Power consumption	12W
Arm length	500, 1000, 1250mm or Spot
Colour	Black
Colour temperature	4300K
IP-rating	IP20 or IP65
Protection class	III
Beam angle	17° standard. 8° as option
Light output	900Lm, 4400Lx 17° std. 23000Lx with optional 8° at 100cm distance
Colour rendering index	95
Weight	0,8-2,2kg
Technical lifespan	>50000h



Arm	Connection	Version	Part.No.
500mm	24-36V AC/DC	IP65	36100
500mm	24-36V AC/DC	IP20, Joint	36100
Spot	24-36V AC/DC	IP20, Joint	36160
AAS two section	24-36V AC/DC	IP65	36155
AAS three section	24-36V AC/DC	IP65	36153



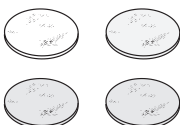

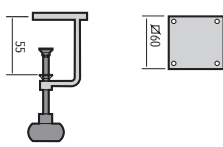
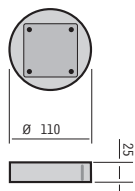
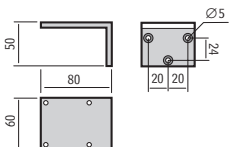
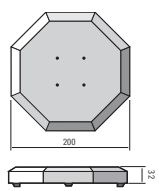
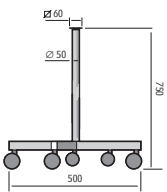
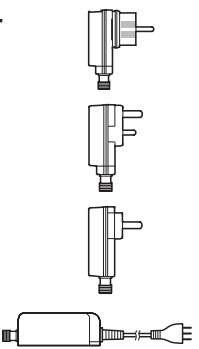
PSU (100-240V~)

Plug-in Adaptor for Europe 230V
33901

Mounting Accessories

Magnetic base 12010	Table base 14015	C-Clamp 14020	Wall mount 14030



Accessory	Fits model	Info	Part. no.
Lens/Glass 	Luxor	Clear (std)	13825
	Luxor	Frosted	13826
Optics 	Luxor	8°	33910
	Luxor	17° (std)	33925
C-clamp 	All with std. base M4 x 20 (4x) included	Max. 42mm	14020
Magnetic base 	Solus 6/Luxor/Solus 9 M4 x 20 (4x) included	∅ 110mm	12010
Wallmount 	All with std. base M4 x 20 (4x) included	50 x 80mm	14030
Desktop base 	All with std. base 4,0 x 25 (4x) included	∅ 200mm	14015
Trolley base 	All with std. base M4 x 20 (4x) included	Height 750mm	14024
AC/DC-Adapter 	Pluto/Tellus/Solus6/Solus9/Lumius/ LS CL-LED/Luxor (Euro)	100-240V/24VDC Max 15VA, IP44	33901
	Pluto/Tellus/Solus6/Solus9/Lumius/LS (UK)	100-240V/12VDC Max 12VA, IP44	33902
	Pluto/Tellus/Solus6/Solus9/Lumius/LS (US)	100-240V/12VDC Max 12VA, IP44	33906
	Pluto/Tellus/Solus6/Solus9/Lumius/ LS CL-LED/Luxor (CH)	100-240V/24VDC Max 15VA, IP44	33907